

C SERIES CATALOG

SCREEN FRAME LINEALS & COMPONENTS



Corporate Office

123 Oxmoor Road West • Birmingham, AL 35209
P.O. Box 59226 • Birmingham, AL 35259-9226
Telephone: 1/800/868-4100
Fax: (205) 945-4304

Mason-Dallas • 2080 McDaniel, Suite 125
Carrollton, TX 75006
Telephone: 1/800/756-2766 • Fax: (972) 247-7656

Mason-Kansas City • 1912 East 19th Street
Kansas City, MO 64127
Telephone: 1/800/925-0291 • Fax: (816) 241-7314

Mason-Knoxville • 1487 Amherst Road, Suite B
Knoxville, TN 37909
Telephone: 1/800/961-6266 • Fax: (865) 687-3841

Mason-Little Rock • 700 North Palm
North Little Rock, AR 72114
Telephone: 1/800/611-5162 • Fax: (501) 955-2147

Mason-Raleigh • 1601 Lake Wheeler Road
Raleigh, NC 27603
Telephone: 1/800/476-2593 • Fax: (919) 836-1944



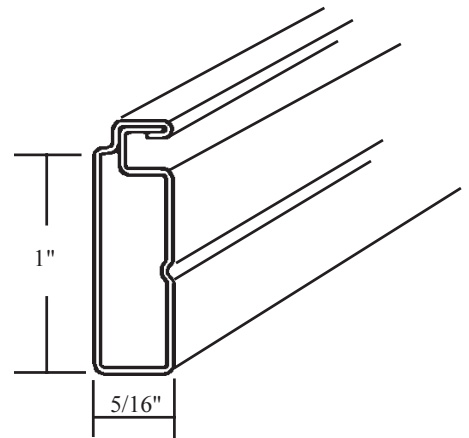
SCREEN FRAME - LINEALS & COMPONENTS

SCREEN FRAME

C102 Almond .024" Roll formed aluminum
 Dark Bronze
 Ivory
 Mill Finish
 Sun Sand
 White

STANDARD PACKAGE: (1,200') 75 pcs. 16' length

Use .125" diameter vinyl spline (C331B) and C402A aluminum corner inserts.

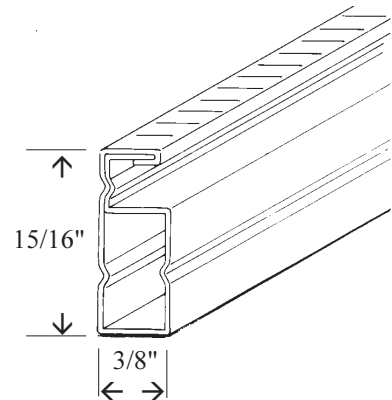


SCREEN FRAME

C107 Dark Bronze .030" Roll formed aluminum
 Ivory
 Mill Finish
 White

STANDARD PACKAGE: (1,020') 85 pcs. 12' length
 (1,152') 72 pcs. 16' length

Use .220" diameter vinyl spline (C336B) and C404A corner inserts.

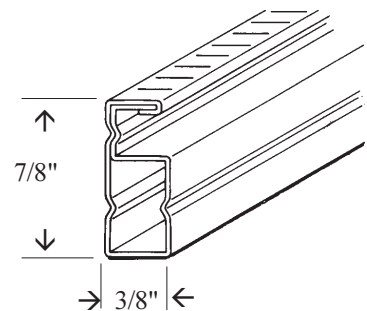


SCREEN FRAME

C108 Mill Finish .024" Roll formed aluminum

Dark Bronze and White available upon request. Lead time required.

Use .220" diameter vinyl spline (C336B) and C404A corner inserts.

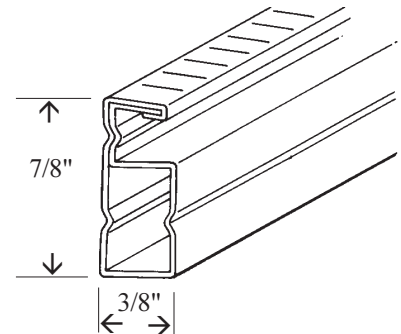


SCREEN FRAME - LINEALS & COMPONENTS

SCREEN FRAME

C110 Almond .019" Roll formed aluminum
 Black
 Dark Bronze
 Mill Finish
 White
 Clay

C113 *Almond .0175" Roll formed aluminum
 Ivory
 Clay



***Almond available in standard package quantities only. Lead time required.**

STANDARD PACKAGE: (1,600') 100 pcs., 16' length
 (800') 50 pcs., 16' length

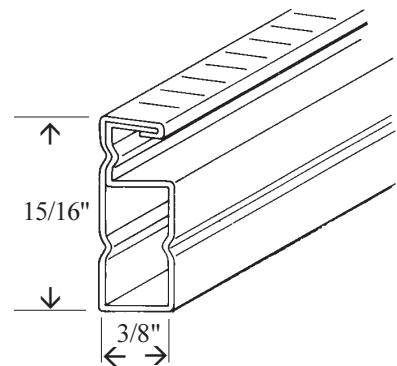
*Use .170" diameter vinyl spline (C334B) or .175" diameter serrated vinyl spline (C334S).
 Use C404A corner inserts or C400 vinyl corner.*

SCREEN FRAME

C111 Dark Bronze .019" Roll formed aluminum
 Mill Finish
 White

STANDARD PACKAGE: (1,440') 90 pcs. 16' length

*Use .170" diameter vinyl spline (C334B) or .175" diameter serrated vinyl spline (C334S).
 Use C414A corner inserts.*

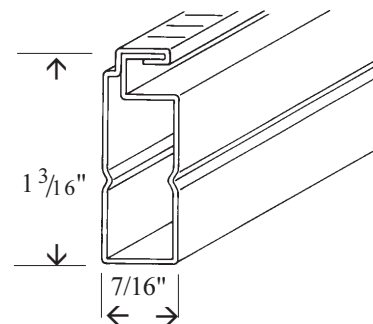


SCREEN FRAME

C118 Dark Bronze .024" Roll formed aluminum
 Mill Finish
 White

STANDARD PACKAGE: (960') 60 pcs. 16' length

*Use .220" diameter vinyl spline (C336B).
 Use C406A corner inserts.*



MASON CORPORATION
 123 Oxmoor Road, West
 Birmingham, AL 35209-6302

Telephone: 1/800/763-4488
 Fax: 205/945-4304

SCREEN FRAME - LINEALS & COMPONENTS

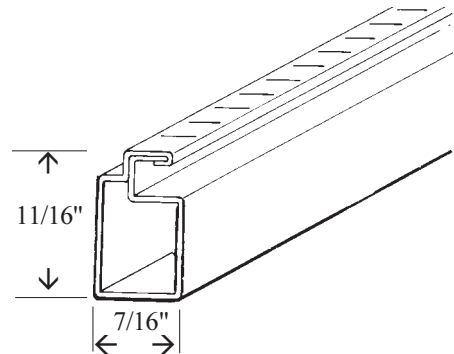
SCREEN FRAME

C123 Mill Finish only .0175 Roll formed aluminum
 *Dark Bronze
 *Ivory
 *White

***Available in standard packages only. Lead time required**

STANDARD PACKAGE: (1,250') 100 pcs, 12'6" length
 (1,600') 100 pcs, 16' length

Use .125" diameter vinyl spline (C332B) and C432 corner insert.



SCREEN FRAME

C124 Almond .019" Roll formed aluminum
 Dark Bronze
 Ivory
 Mill Finish
 Sun Sand
 White
 *Blue White

Black and Almond available by request. Lead time required.

STANDARD PACKAGE: (1,728) 108 pcs., 16' length
 *(1,350') 108 pcs., 12'6" length
 (864') 54 pcs., 16' length

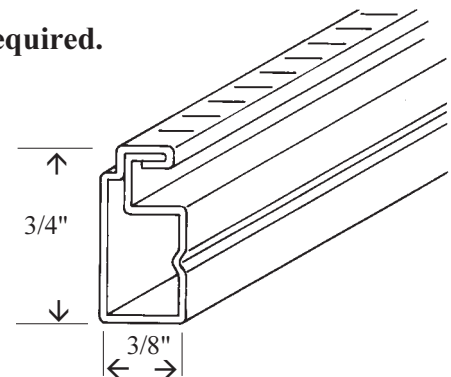
***Available in standard packages only. Lead time required.**

C125 Dark Bronze .0175" Roll formed aluminum
 Mill Finish
 White

Ivory available by request. Lead time required.

STANDARD PACKAGE: (1,728') 108 pcs., 16' length.

Use .150" diameter vinyl spline (C333B) or .155" diameter serrated vinyl spline (C333S). Use C412 corner inserts for mitered corners or C425 vinyl corners for square cut joints.



MASON CORPORATION
 123 Oxmoor Road, West
 Birmingham, AL 35209-6302

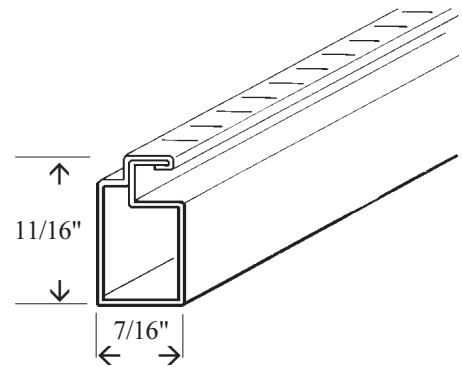
Telephone: 1/800/763-4488
 Fax: 205/945-4304

SCREEN FRAME - LINEALS & COMPONENTS

SCREEN FRAME

C132 Almond .019" Roll formed aluminum
 Dark Bronze
 Mill Finish
 Sun Sand
 White

C133 Dark Bronze .0175" Roll formed aluminum
 Mill Finish
 White
 Ivory available by request. Lead time required.



STANDARD PACKAGE: (1,600') 100 pcs., 16' length

Use .150" diameter vinyl spline (C333B) or .155" diameter spline (C333S) and C432A corner inserts.

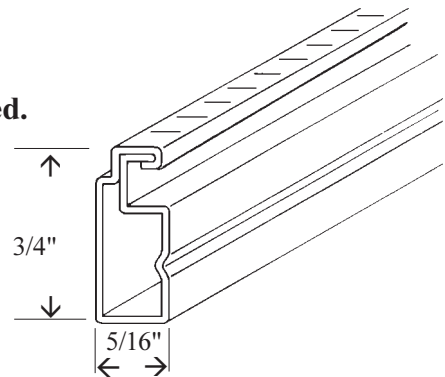
SCREEN FRAME

C136 Almond .019" Roll formed aluminum
 Dark Bronze
 Ivory
 Mill Finish
 Sun Sand
 White

Blue White available by request. Lead time required.

STANDARD PACKAGE: (2,160') 135 pcs., 16' length
 (1,688') 135 pcs., 12'6" length
 (1,088') 68 pcs., 16' length

C137 Dark Bronze .0175" Roll formed aluminum
 Ivory
 Mill Finish
 White



STANDARD PACKAGE: (2,160') 135 pcs., 16' length
 (1,088') 68 pcs., 16' length.

Use .140" diameter vinyl spline (C332B) or .145" diameter spline (C332S) and C436A corner inserts or C426 vinyl corners.



MASON CORPORATION
 123 Oxmoor Road, West
 Birmingham, AL 35209-6302

Telephone: 1/800/763-4488
 Fax: 205/945-4304

SCREEN FRAME - LINEALS & COMPONENTS

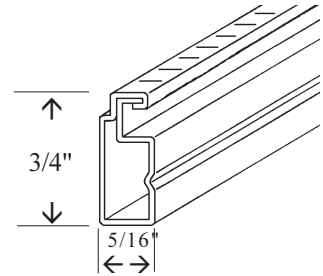
SCREEN FRAME

C138 MillFinish .024" Roll formed aluminum

**Dark Bronze, Ivory, and White available by request.
Lead time required.**

STANDARD PACKAGE: (2,160') 135 pcs., 16' length.

Use .140" (C332B) or .145" diameter spline (C332S) and C436A corner inserts or C426 vinyl corners.



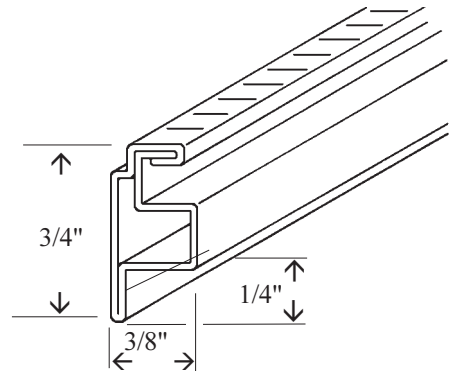
SCREEN FRAME

C140 Dark Bronze .019" Roll formed aluminum
MillFinish
White

STANDARD PACKAGE: (1,500') 125 pcs. 12' length

Use .150" diameter vinyl spline (C333B) or .155" diameter serrated vinyl spline (C333S).

Use C416A corner inserts.



SCREEN FRAME

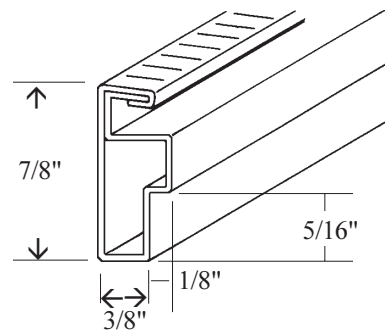
C142 MillFinish .024" Roll formed aluminum

**Dark Bronze and White available by request.
Lead time required.**

STANDARD PACKAGE: (1,600') 100 pcs. 16' length

Use .150" diameter vinyl spline (C333B) or .155" diameter serrated vinyl spline (C333S).

Use C410A corner inserts.



MASON CORPORATION
123 Oxmoor Road, West
Birmingham, AL 35209-6302

Telephone: 1/800/763-4488
Fax: 205/945-4304

SCREEN FRAME - LINEALS & COMPONENTS

SCREEN FRAME

C148 Dark Bronze .024" Roll formed aluminum
Mill Finish
White
Ivory available by request. Lead time required.

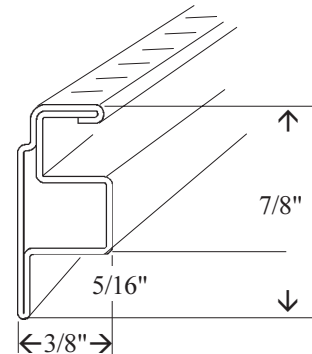
STANDARD PACKAGE: (1,250') 100 pcs., 12'6" length.

C149 Dark Bronze .019" Roll formed aluminum
Mill Finish
White
Ivory available by request. Lead time required.

STANDARD PACKAGE: (1,250') 100 pcs., 12'6" length.

Use C336 (.220") vinyl spline and C446 corners.

**C148 AND C149 SCREEN FRAME AVAILABLE IN STANDARD PACKAGE ONLY.
LEAD TIME REQUIRED.**



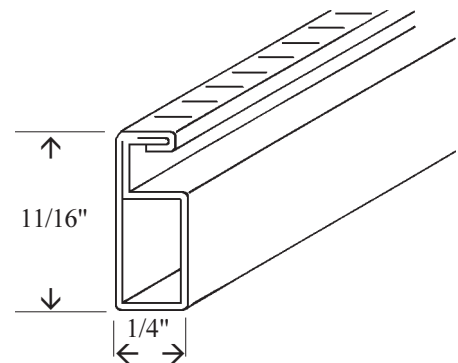
SCREEN FRAME

C150 Dark Bronze .0175" Roll formed aluminum
Mill Finish
White

STANDARD PACKAGE: (1,920') 120 pcs. 16' length

Special colors available. Lead time required.

Use .140" diameter vinyl spline (C332B) or .145" diameter serrated vinyl spline (C332S).
Use C450A corner inserts.

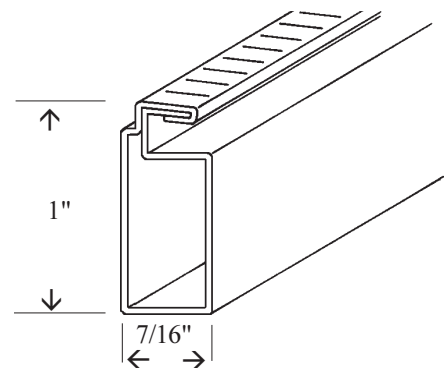


SCREEN FRAME

C152 Dark Bronze .024" Roll formed aluminum
Mill Finish
White

STANDARD PACKAGE: (1,120') 70 pcs. 16' length

Use .170" diameter vinyl spline (C334B) or .175" diameter serrated vinyl spline (C334S).
Use C451A corner inserts.



MASON CORPORATION
123 Oxmoor Road, West
Birmingham, AL 35209-6302

Telephone: 1/800/763-4488
Fax: 205/945-4304

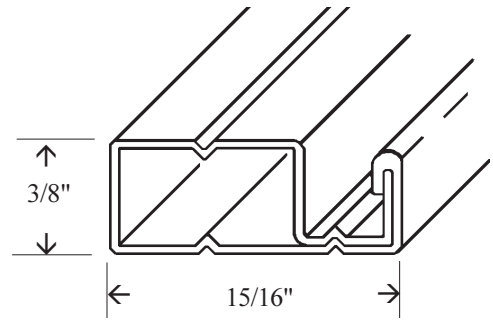
SCREEN FRAME - LINEALS & COMPONENTS

SCREEN FRAME

C154 Mill Finish .024" roll formed aluminum

STANDARD PACKAGE: (1,600') 100 pcs., 16' length

Use C454A Corner and .250" serrated spline (C330B).



**C154 SCREEN FRAME AVAILABLE IN STANDARD PACKAGES ONLY.
LEAD TIME REQUIRED.**

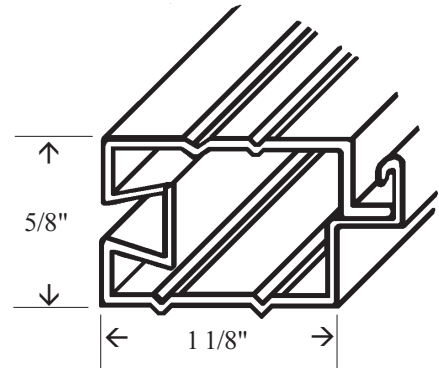
GAZEBO SCREEN FRAME

C155 *Bronze .024" roll formed aluminum
*Mill Finish
*White

C155 GAZEBO SCREEN FRAME AVAILABLE BY REQUEST ONLY. MINIMUM QUANTITIES AND LEAD TIME REQUIRED.

STANDARD PACKAGE: Dependent on length and quantity.

Use C455 Corner Insert and .155" serrated spline (C333B).
Use C255 chair rail.

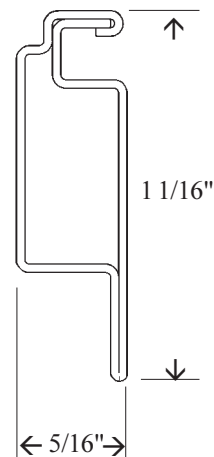


SCREEN FRAME

C159 Dark Bronze .019" Roll Formed Aluminum
Mill Finish
White
Ivory available by request. Lead time required.

STANDARD PACKAGE: (1,250') 100 pcs. 12'6" length.

Use C436 or C429 corners and .140" smooth spline (C334B) or .145 serrated spline (C333B).



MASON CORPORATION
123 Oxmoor Road, West
Birmingham, AL 35209-6302

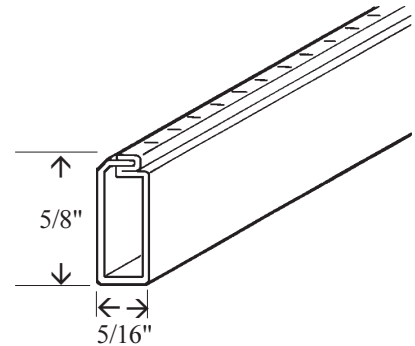
Telephone: 1/800/763-4488
Fax: 205/945-4304

SCREEN FRAME - LINEALS & COMPONENTS

CENTER BAR

C279 Almond .019" Aluminum
 Dark Bronze
 Mill Finish
 Sun Sand
 White

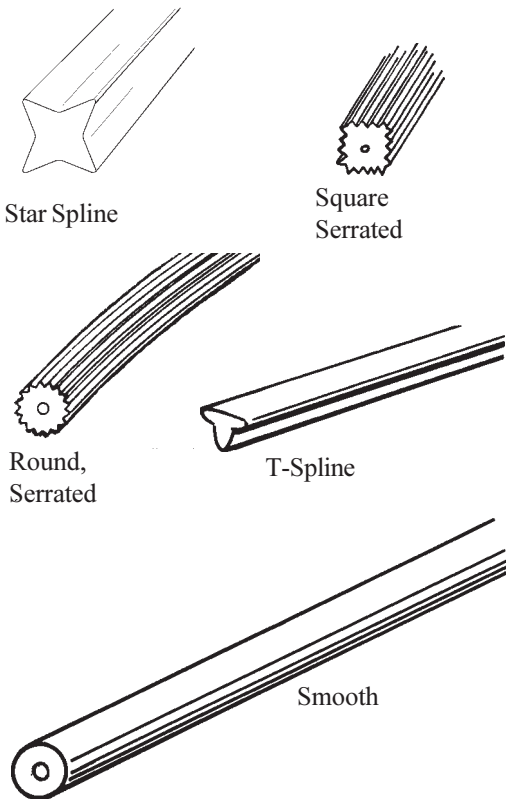
C280 Dark Bronze .0175" Aluminum
 Ivory
 Mill Finish
 White



STANDARD PACKAGE: (252') 21 pcs. 12' length
 (600') 50 pcs. 12' length
 (1,428') 119 pcs. 12' length

Use C007A or C004A center bar clips.

SPLINE



CATALOG NO.	DIAMETER	STANDARD PACKAGE
SMOOTH:		
C331B	.125"	2,000'/roll
C332B	.140"	2,000'/roll
C333B	.150"	2,000'/roll
C334B	.170"	1,000'/roll
C335B	.190"	1,000'/roll
C336B	.220"	1,000'/roll
C337B	.230"	1,000'/roll
C338B	.255"	500'/roll
C340B	.135" sq.	2,000'/roll
SERRATED:		
C330B	.250"	500'/roll
C332S	.145"	2,000'/roll
C333S	.155"	2,000'/roll
C334S	.175"	1,000'/roll
STAR SPLINE:		
C341B	.142"	2,000'/roll



MASON CORPORATION
 123 Oxmoor Road, West
 Birmingham, AL 35209-6302

Telephone: 1/800/763-4488
 Fax: 205/945-4304

SCREEN FRAME - LINEALS & COMPONENTS

CORNER INSERTS STAMPED ALUMINUM

For Miter Cut:

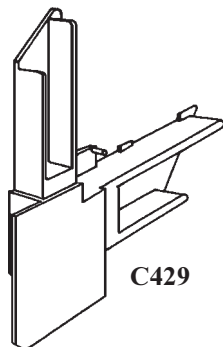
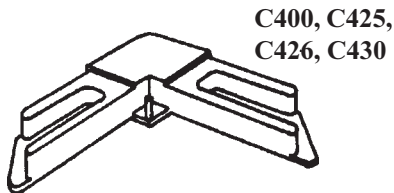


CATALOG NUMBER	METAL THICKNESS	USED WITH SCREEN FRAME
C402A	.040"	C102
C404A	.040"	C107, C108, C110, C113
C406A	.063"	C118
C410A	.050"	C142
C412A	.040"	C124, C125
C414A	.040"	C111
C416A	.040"	C140
C432A	.040"	C123, C132, C133
C436A	.040"	C136, C137, C138, C158, C159
C446	.040"	C148, C149
C450A	.040"	C150
C451	.050"	C152
C454	.050"	C154
C455	.050"	C155

STANDARD PACKAGE: 400 each.

CORNER INSERTS

For Straight Cut: (less twice the screen frame height)



STANDARD PACKAGE: 400 each.

CATALOG #	COLOR	USED WITH SCREEN FRAME
C400	Silver Ivory White	C110, C113
C402 Plastic	Silver Bronze White	C102
C425	Dark Bronze Almond Silver White	C124, C125
C426	Dark Bronze Silver White	C136, C137, C138
C429	Mill Finish Dark Bronze Ivory White	C158, C159
C430	Dark Bronze Silver White	C130, C131



MASON CORPORATION
123 Oxmoor Road, West
Birmingham, AL 35209-6302

Telephone: 1/800/763-4488
Fax: 205/945-4304