

# ***F SERIES CATALOG***

## ***Screen Doors, Lineals & Fabricated***



### **Corporate Office**

123 Oxmoor Road West • Birmingham, AL 35209  
P.O. Box 59226 • Birmingham, AL 35259-9226  
Telephone: 1/800/868-4100  
Fax: (205) 945-4304

**Mason-Dallas** • 2080 McDaniel, Suite 125  
Carrollton, TX 75006  
Telephone: 1/800/756-2766 • Fax: (972) 247-7656

**Mason-Kansas City** • 1912 East 19th Street  
Kansas City, MO 64127  
Telephone: 1/800/925-0291 • Fax: (816) 241-7314

**Mason-Knoxville** • 1487 Amherst Road, Suite B  
Knoxville, TN 37909  
Telephone: 1/800/961-6266 • Fax: (865) 687-3841

**Mason-Little Rock** • 700 North Palm  
North Little Rock, AR 72114  
Telephone: 1/800/611-5162 • Fax: (501) 955-2147

**Mason-Raleigh** • 1601 Lake Wheeler Road  
Raleigh, NC 27603  
Telephone: 1/800/476-2593 • Fax: (919) 836-1944



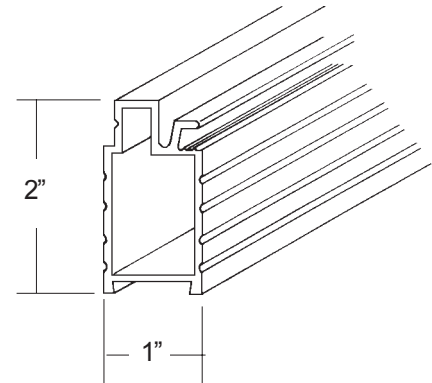
## SCREEN DOORS - LINEALS AND FABRICATED

### MAIN FRAME

F114      Dark Bronze    .045" extruded aluminum  
             Ivory  
             White  
             Clay

Standard Package: As required. 10' 2" length.

*Use F602 corners and .170" diameter vinyl spline.*

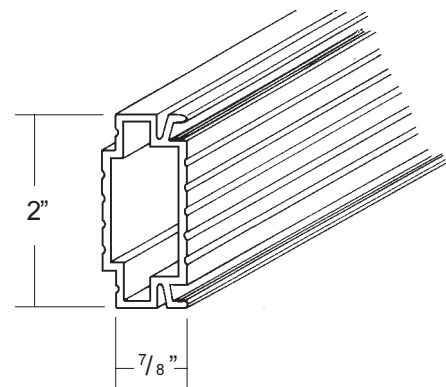


### MULLION

F154      Dark Bronze      .045" extruded aluminum  
             Ivory  
             White  
             Clay

Standard Package: As required. 8' 2" length.

*Use .170" diameter vinyl spline.*

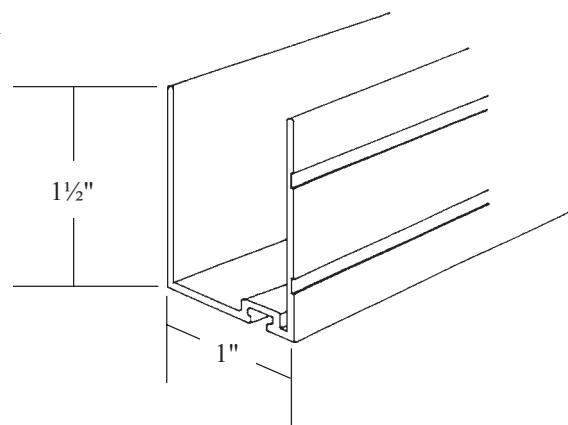


### BOTTOM EXPANDER

F180      Mill Finish          .050" extruded aluminum  
             Dark Bronze  
             Brown  
             Ivory  
             White  
             Clay

Stock length: 9'

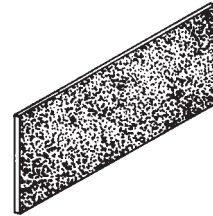
*Use F650 vinyl sweep.*



## SCREEN DOORS - LINEALS AND FABRICATED

### KICKPLATE

F206	White Ivory Clay	.024" embossed aluminum, 18" x 32½"
F213	Dark Bronze	.024" embossed aluminum, 18" x 32"



Standard Package: 6 each.

### KICKPLATE COIL

F250	Mill Finish Dark Bronze Ivory White Clay	.024" embossed aluminum, 18" width
F252	Dark Bronze Ivory White	.024" embossed aluminum, 24" width

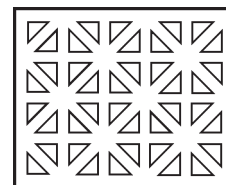


Standard Package: 50' roll.

### UNION JACK

F280	Mill Finish	.024" perforated aluminum
------	-------------	---------------------------

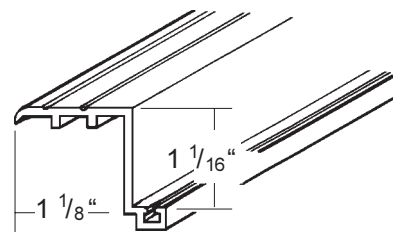
Standard Width: 36"  
Standard Package: 50' roll



### FACING STRIP

F302	Mill Finish Dark Bronze Ivory White Clay	.055" aluminum
------	--	----------------

Stock Lengths: 7'1" & 10"



*Use at top and latch side of 1" storm or screen door.  
Use F649 pile weatherstripping.*



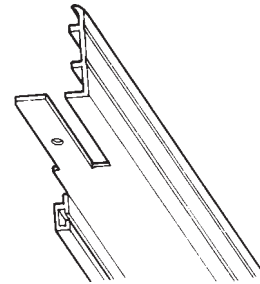
**MASON CORPORATION**  
123 Oxmoor Road, West  
Birmingham, AL 35209-6302

Telephone: 1/800/868-4100  
Fax: 205/945-4399

**SCREEN DOORS - LINEALS AND FABRICATED**

**FACING STRIP HEADER, PRE-CUT AND NOTCHED**

F312 Mill Finish .055" aluminum  
 \*Dark Bronze  
 \*Ivory  
 \*White  
 \*Clay



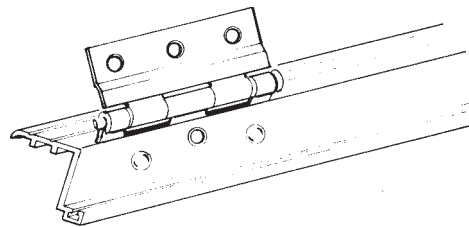
\*Lead time required

Covers any F302 header from 31" to 39¾".  
 Use F649 pile weatherstripping.

Header length = door width plus 2 1/8"  
 For standard 2'8" door (31½") 34 1/8"  
 For standard 3'0" door (35½") 38 1/8"

**FACING STRIPS WITH HINGES ATTACHED**

Cat. #	Color	Hinge #	# of Hinges
F324	Mill Finish Dark Bronze Ivory White	F505	5
F327	Mill Finish Dark Bronze Ivory White Clay	F505	3

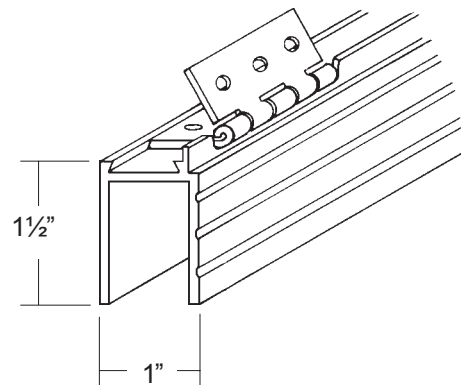


Use F302 facing strip (.055 Aluminum)

**SIDE EXPANDER**

F359 Mill Finish .045" extruded aluminum,  
 Dark Bronze with 3 ea. F505 hinges  
 F361 same as above with 5 hinges

Standard Package: As required. 7'1" length.



## SCREEN DOORS - LINEALS AND FABRICATED

### CORNER SCREW

F400 Mill Finish #10 - 24 x ½" stainless steel,  
hex slotted, washer head



Standard Package: 100 each.

*Use with F602 and F605 corner inserts.*

### HINGE SCREW

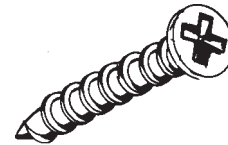
F407 Mill Finish #10 x ½" Phillips, oval  
undercut head, Type A-B,  
stainless steel sheet metal screw



Standard Package: 100 each.

### HINGE SCREW

F409 Mill Finish #9 x 1" Phillips flat head,  
stainless steel wood screw



Standard Package: 100 each.

### SCREW

F410 Mill Finish #10 x 1¼" hex washer head,  
Dark Bronze Tek® screw, with oxy-seal



Standard Package: 100 each

### BLIND RIVETS — ALUMINUM

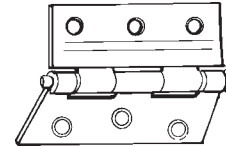
F451 Brown 1/8" .126" - .187" grip range  
Clay  
Dark Bronze  
Ivory  
Mill Finish  
White



## SCREEN DOORS - LINEALS AND FABRICATED

### HINGE

F505      Mill Finish      Aluminum, 3" with oilite  
             Black                              bearings, st. steel pin,  
             White                              full mortise  
             Clay



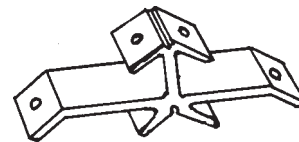
Standard Package: As required

### CORNER INSERT

F602    A    Mill Finish      Extruded aluminum

Standard Package: As required

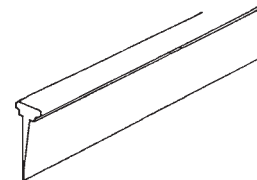
*Use F400 corner screws.*



### VINYLSWEEP

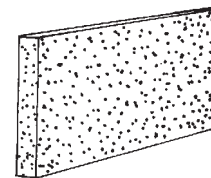
F650      Black      Vinyl

Standard Package: 100' per roll



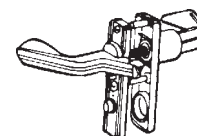
### KICKPLATE LINER

F750    1" Styrofoam      24" x 96"



### HARDWARE - INSWINGING LATCH

F920      Mill Finish



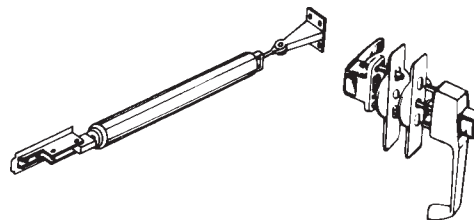
## SCREEN DOORS - LINEALS AND FABRICATED

### HARDWARE KIT

F919      Black

Standard Package: As required

*Includes pushbutton latch and pneumatic closer.  
Use with F827 and F828 screen door.*

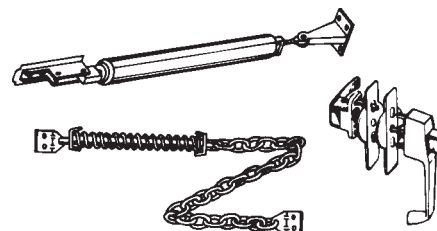


### HARDWARE KIT

F950      Black      1 3/4" hole spacing on latch

Standard Package: As required

*Includes pushbutton latch, pneumatic closer and check chain.*

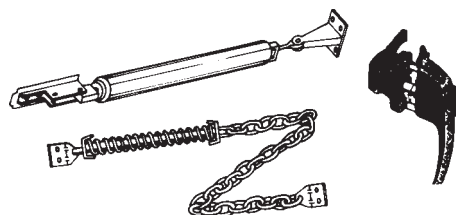


### HARDWARE KIT — "MEDITERRANEAN"

F960      Black      1 3/4" hole spacing

Standard Package: As required

*Includes pushbutton latch, pneumatic closer and check chain.*



### SCREEN DOOR

F827      Dark Bronze    extruded aluminum  
Ivory  
White  
Clay

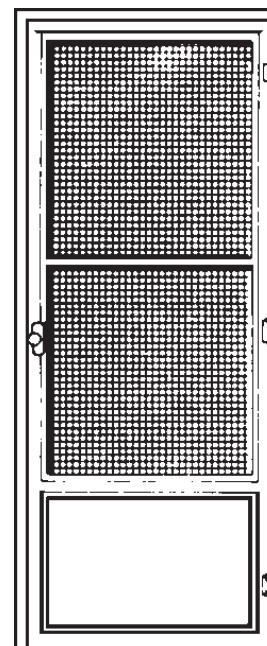
*K.D. style. Includes facing strip and hardware kit.  
Does not include insect screening.*

Size: 2'8" X 6'8" and 3'0" X 6'8"

F828      Dark Bronze    extruded aluminum  
Ivory  
White  
Clay

Size: 2'8" x 6'8" and 3'0" x 6'8"

*Pre-assembled door includes facing strip,  
hardware kit and insect screening. Not pre-hung.*



**MASON CORPORATION**  
123 Oxmoor Road, West  
Birmingham, AL 35209-6302

Telephone: 1/800/868-4100  
Fax: 205/945-4399