

J SERIES CATALOG

Service Station Components

COMMERCIAL PRODUCTS DEPARTMENT
35 Guy Street
Jemison, AL 35085

**TOLL FREE
1/866/568-8823**

FAX (205) 688-2989

website: www.masoncorp.com



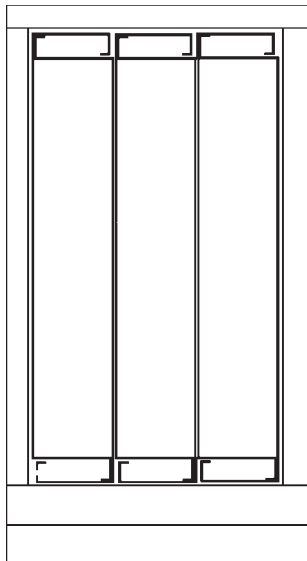
February, 2011

SERVICE STATION COMPONENTS

16" FLAT PANS	20 PSF	30 PSF	40 PSF
20 gauge	9' 1"	7' 4"	6' 4"
22 gauge	7' 5"	6' 1"	5' 7"

ALL LOAD CHARTS ARE INTENDED AS A GENERAL GUIDE. MASON CORPORATION ASSUMES NO RESPONSIBILITY FOR THE ENGINEERING NOR THE DESIGN OF ANY MATERIALS UNLESS THE CUSTOMER PURCHASES MASON CORPORATION'S DRAWINGS SEALED BY A STRUCTURAL ENGINEER. CONSULT THE FACTORY FOR MORE INFORMATION.

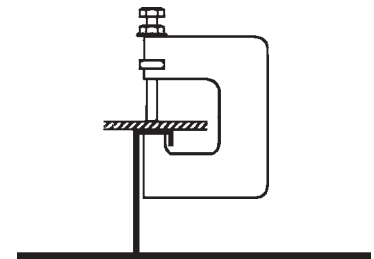
*WIND LOADS ARE BASED ON
FREE STANDING CANOPIES ONLY.*



Double bottom blocking for easy fork lift unloading



Plastic protective covering on full bottom.



Support clip installation

Manufacturing facility uses overhead cranes for loading on flatbed trailers

/// - DECK ROOF PANEL

J135	20 gauge	smooth, white, high gloss, galvanized
J235	20 gauge	embossed, white, high gloss, galvanized
	20 gauge	bronze, embossed, galvanized
J129	22 gauge	smooth, white, high gloss, galvanized
J229	22 gauge	embossed, white, high gloss, galvanized



SIZE: 3" deep X 16" coverage
STRIP WIDTH: 24"



MASON CORPORATION
35 Guy Street
Jemison, AL 35085

Telephone: 1/866/568-8823
Fax: 205/688-2989
www.masoncorp.com

SERVICE STATION COMPONENTS

NON-STRUCTURAL FASCIA/GUTTER (BREAK FORMED)

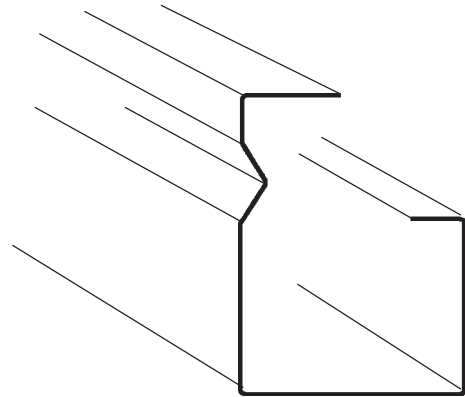
K262 White .040" aluminum
Bronze .039" aluminum

SIZE: 6" deep X 4 5/8" wide X 3 1/2" gutter

STRIP WIDTH: 17.25"

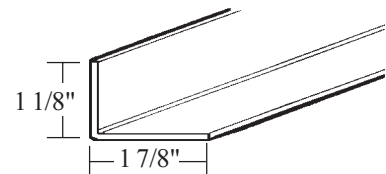
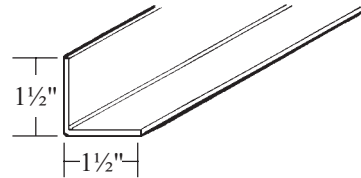
LENGTH: 20', 24'

ACCESSORIES: K263 Splice - 20'
K264 Corners



ANGLES

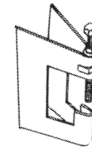
J011 16 gauge 1 1/2" X 1 1/2" galvanized
J012 16 gauge 1 1/8" X 1 7/8" galvanized
J013 16 gauge 1 3/8" X 1 5/8" galvanized
J015 18 gauge 1 1/2" X 1 1/2" galvanized



*Standard 20' lengths. Custom lengths available - minimums required
Standard Packaging: 200 pc per carton*

INSTALLATION CLIP

J825 12 gauge galvanized



MINIMUM ORDERS: Consult factory for minimum order requirements.

SHIPPING: Material shipped in 2000# bundles via contract haulers on flatbed trailers.
Consult factory for freight costs.

SPECIFICATIONS: Panels roll formed from AZ 50 galvanized ASTM - A635 graded coil stock with a polyester enamel painted finish on a wash coat.

MISCELLANEOUS SHAPES AND TRIM COILS: Consult factory for prices on break shapes up to 25' - 0" long and for trim coils.



MASON CORPORATION
35 Guy Street
Jemison, AL 35085

Telephone: 1/866/568-8823
Fax: 205/688-2989
www.masoncorp.com

MATERIAL ORDER FORM
Service Station Components

Date: _____ **Job #** _____ **Purchase Order #:** _____
Customer: _____ **Ship to:** _____
Address: _____ **Address:** _____
City, State, Zip: _____ **City, State, Zip:** _____
Phone: _____ **Fax:** _____ **Job Phone #:** _____ **Customer #:** _____

	Quantity	Length	Gloss	Mason Corp. Catalog #	Description	Price
1			High	J135	Roof Pan, 20 ga., smooth, white, galvanized, 3" X 16"	
2			High	J235	Roof Pan, 20 ga., embossed, white, galvanized, 3" X 16"	
3				J235	Roof Pan, 20 ga., bronze, embossed, galvanized, 3" X 16"	
4			High	J129	Roof Pan, 22 ga., smooth, white, galvanized, 3" X 16"	
5			High	J229	Roof Pan, 22 ga., embossed, white, galvanized, 3" X 16"	
6				K262	3 1/2" Fascia/Gutter, white, .040" aluminum, 6" X 4/8"	
7				K262	3 1/2" Fascia/Gutter, bronze, .039" aluminum, 6" X 4 ⁵ / ₈ "	
8				J011	Angle, 16 ga., 1 ¹ / ₂ " X 1 ¹ / ₂ ", galvanized	
9				J012	Angle, 16 ga., 1 ¹ / ₈ " X 1 ⁷ / ₈ ", galvanized	
10				J013	Angle, 16 ga., 1 ³ / ₈ " X 1 ⁵ / ₈ ", galvanized	
11				J015	Angle, 18 ga., 1 ¹ / ₂ " X 1 ¹ / ₂ ", galvanized	
12				J825	Installation clip, 12 gauge, galvanized	
13						
14						
15						
16						

Pick Up Date / Ship Date: _____

Special Instructions: _____

Gutters and Accessory Items:

MASON CORPORATION has the capacity to supply gutter, center gutter, and tapered downspouts in lengths up to 25'. Contact Mason for pricing and requirements.



MASON CORPORATION
 35 Guy Street
 Jemison, AL 35085

Telephone: 1/866/568-8823
 Fax: 205/688-2989
 www.masoncorp.com